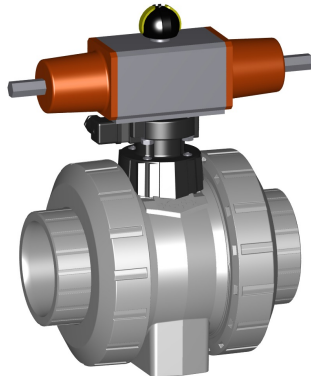
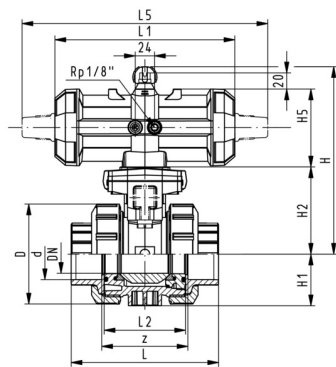


DN10/15 - 50

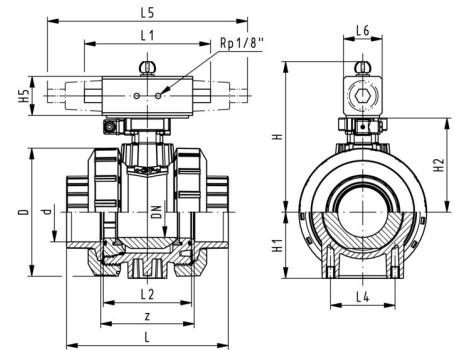
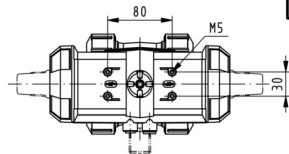


**Type 233 Pneumatically Actuated Ball Valve - CPVC
FC (Fail safe to close)/without manual override
Solvent cement socket/Threaded NPT (3/8"-2")**

Size (inch)	EPDM Part No.	FKM Part No.
3/8	199 233 362	199 233 372
1/2	199 233 363	199 233 373
3/4	199 233 364	199 233 374
1	199 233 365	199 233 375
1 1/4	199 233 366	199 233 376
1 1/2	199 233 367	199 233 377
2	199 233 368	199 233 378
2 1/2	199 233 369	199 233 379
3	199 233 370	199 233 380
4	199 233 371	199 233 381



DN10/15-50



DN65-100

The technical data are not binding. They neither constitute expressly warranted characteristics nor guaranteed properties nor a guaranteed durability. They are subject to modification. Our General Terms of Sale apply.

Georg Fischer Piping Systems Ltd, Postfach, CH-8201 Schaffhausen/Switzerland

Phone +41 -(0)52-631 1111

e-mail: info.ps@georgfischer.com

Internet: <http://www.gfps.com>